

Low-lifter 2 ton

BT pergo

AL20W



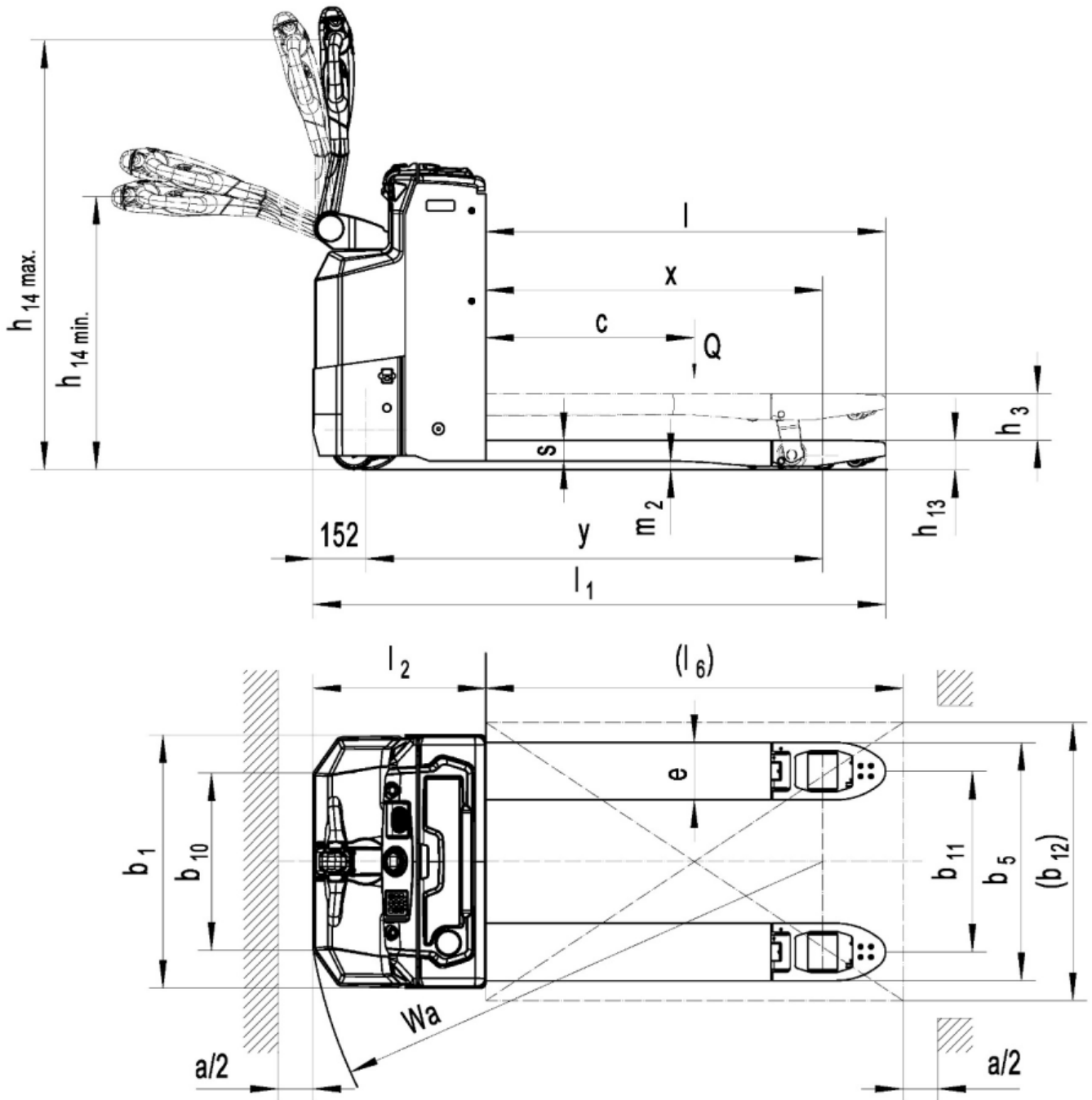
Distinguishing mark	1.2	Manufacturer's type designation		AL20W		
				LiB*	LAB w/o BSE*	LAB with BSE*
	1.3	Power type		Battery		
	1.4	Operator type		Pedestrian		
	1.5	Load Capacity / rated load	Q (t)	2.0		
	1.6	Load center distance	c (mm)	600		
	1.8	Load distance	x(mm)	886 ¹⁾		
	1.9	Wheelbase	y (mm)	1230 ¹⁾	1296 ¹⁾	1386 ¹⁾
Weight	2.1	Service weight (with battery)	kg	420	575	610
	2.2	Axle loading, laden front/rear	kg	860/1560	880/1695	840/1770
	2.3	Axle loading, unladen front/ rear	kg	335/85	435/140	460/150
Tires, chassis	3.1	Tyres		Polyurethane (PU)		
	3.2	Tyre size, front	Ø x w	Ø230X75		
	3.3	Tyre size, rear	Ø x w	Single Ø85X110 / Tandem Ø85X80		
	3.4	Additional wheels (dimensions)	Ø x w	Ø125X40		
	3.5	Wheels, number front / rear (x=driven wheels)		1x+2/2 or 1x+2/4		
	3.6	Tread, front	b ₁₀ (mm)	476		
	3.7	Tread, rear	b ₁₁ (mm)	385/405/520		
Dimensions	4.4	Lift height	h ₃ (mm)	125		
	4.9	Height of tiller in drive position min. / max.	h ₁₄ (mm)	780/1235		
	4.15	Height, lowered	h ₁₃ (mm)	85		
	4.19	Overall length	l ₁ (mm)	1647	1715	1805
	4.20	Length to face of forks	l ₂ (mm)	497	565	655
	4.21	Overall width	b ₁ (mm)	729		
	4.22	Fork dimensions	s/e/l (mm)	60/165/1150		
	4.25	Width over forks	b ₅ (mm)	550/570/685		
	4.32	Ground clearance, center of wheelbase	m ₂ (mm)	25		
	4.33	Aisle width for pallets 1000 x 1200 crossways	Ast (mm)	2225 ²⁾	2290 ²⁾	2380 ²⁾
	4.34	Aisle width for pallets 800 x 1200 lengthways	Ast (mm)	2123 ²⁾	2188 ²⁾	2278 ²⁾
	4.35	Turning radius	Wa (mm)	1415 ¹⁾	1480 ¹⁾	1570 ¹⁾
Performance	5.1	Travel speed, laden / unladen	km/h	5.4/5.4 ³⁾	5.4/5.4 ³⁾	5.4/5.4 ³⁾
	5.2	Lift speed, laden / unladen	mm/s	32/36	32/36	32/36
	5.3	Lowering speed, laden / unladen	mm/s	45/30	45/40	45/40
	5.8	Gradeability, laden / unladen	%	13/20	12/20	12/20
	5.10	Service brake		Electromagnetic		
Motors	6.1	Drive motor rating S2 60min	kW	1.4		
	6.2	Lift motor rating at S3 10%	kW	1.2		
	6.3	Battery acc. to DIN 43531 /35 / 36 A, B, C, no		/	43535/B	43535/B
	6.4	Battery voltage, nominal capacity K5	V/Ah	24V/150	24V/225	24V/225
	6.5	Battery weight (minimum)	kg	65	196	196
	6.6	Energy consumption acc. to VDI cycle	kWh/h	0.26	0.25	0.25
	6.7/7.6	Turnover output	t/h	82	86	86
	6.8/7.7	The turnover efficiency	t/kWh	230	220	220
Add.	8.1	Type of drive control		AC- speed control		
	8.4	Sound level at driver's ear acc. to EN 12053	dB(A)	65		

* LiB – Lithium-ion Battery, LAB – Lead-acid Battery, BSE – Battery Side Extraction

1) For lowered forks +84 mm

2) $Ast = Wa + \sqrt{((l_6 - x))^2 + ((b_{12}/2))^2} + a$, where a = 200 mm. Be aware that some companies calculate the Ast with the old calculation formula $Ast = Wa + (l_6 - x) + a$, where a=200 mm

3) Adjustable, max. 6.0/6.0 km/h



Truck features:

- Good Visibility
- Small Overall Dimensions and Turning Radius
- Low Energy Consumption
- Automatic Speed Reduction when cornering
- Creep and Turtle function
- PIN-code keyboard
- Equipped with USB connector, storage tray and bottle holder
- Climbing Wheels and Rollers + optional Bogie fork wheels
- Design for Lead acid and Li-ion Battery
- Emergency Switch
- Central Placed Arm
- Low Sound Level

